

Programming and usage instructions ZWMP weather module

Contents

1 Safety rules	2
2 Description of ZWMP weather module	3
3 Installation of ZWMP module	4
4 Module programming	4
4.1 Associating weather module to the Z-Wave network (LEARN MODE function).....	5
4.2 Associating device with ZWMP module (ASSOCIATE function).....	6
4.2.1 Device operating by means of “OPEN” and “CLOSE” buttons	6
4.3 Device deleting from ZWMP weather module (DELETE function)	7
4.4 Return to default settings of the ZWMP weather module (DEFAULT function).....	8
4.5 Removing the ZWMP weather module from the network.....	8
4.6 Additional functions.....	9
4.6.1 Configuring the Z-Wave network using the ZWMP weather module (INCLUDE function).....	9
4.6.2 Excluding a device from the Z-Wave network using the ZWMP weather module (EXCLUDE function)	10
4.6.3 Association Groups.....	11
5 Technical parameters.....	11
6 LED signalling of digital inputs and 12V DC power.....	11
7 WARRANTY.....	12

1 Safety rules

Read the instructions below carefully before proceeding to device installation so as to avoid electric shock, injury etc.

CAUTION!!!

The ZWMP weather module is powered by 110V alternating current. Electric shock hazard.

When installing the ZWMP module it is crucial to pay close attention to the following recommendations:

- Installation should be performed by a qualified individual following manufacturer's instructions.
- Connecting the module should be performed with power supply disconnected at all times.
- After unpacking, check module elements for any signs of mechanical damage.
- Before connecting the module, make sure that the power supply voltage corresponds with that provided on the data plate.
- Plastic containers used for packing should be kept out of children's reach as they may be a potential source of hazard.
- The ZWMP module should be used for its intended purpose in agreement with its design. The FAKRO Company shall not be held responsible for any consequences resulting from improper module use.
- Any activities relating to cleaning, adjustment or disassembly of the module should be preceded with its disconnection from the mains.
- The module should not be cleaned using any solvent substances or open stream of water (do not immerse in water).
- Any module repairs should be carried out by the manufacturer authorised service.
- Electric cables supplying electricity to the source of power must have suitable area ($2 \times 1 \text{ mm}^2$). The permissible cable length for the area specified above is 30 m.
- The permissible length of cables plugged into digital inputs is 5m.
- The ZWMP weather module is intended for indoor installation.

2 Description of ZWMP weather module

The ZWMP weather module (performing the controlling function similarly to the ZWP10 remote control and ZWK10 keyboard) enables remote control of electronic accessories compatible with the Z-Wave system, e.g. ZWS12 or ZWS30 motors for operating FAKRO roof windows. This module is equipped with three digital inputs (No. 7, 8 and 9 in *Figure 1*) into which signals from various external devices can be plugged, e.g. rain or wind sensors, thermostat, timer switch, EIB system, etc. This module can operate up to 231 devices simultaneously or in groups. The single “SEL” button (No. 4 – *Figure 1*) allows selecting one out of three channels (No. 2 – *Figure 1*, channel 1 is inactive) with which controlled devices such as ZWS12 or ZWS30 motors can be associated. The channels are associated with digital inputs (No. 7, 8 and 9 – *Figure 1*) through which devices are operated. Devices associated with:

- channel 2 are operated from digital input No.2,
- channel 3 are operated from digital input No.3, etc.

The devices associated with one of the channels can only OPEN or CLOSE after sending a signal to its digital input. The ZWMP weather module is equipped with two-way ”Z - Wave” communication system. For communication, the Z-Wave system utilises radio wave frequency of 921,4 Mhz. In *Figure 1*, there is presented a general view of the ZWMP weather module with description of available buttons and signals.

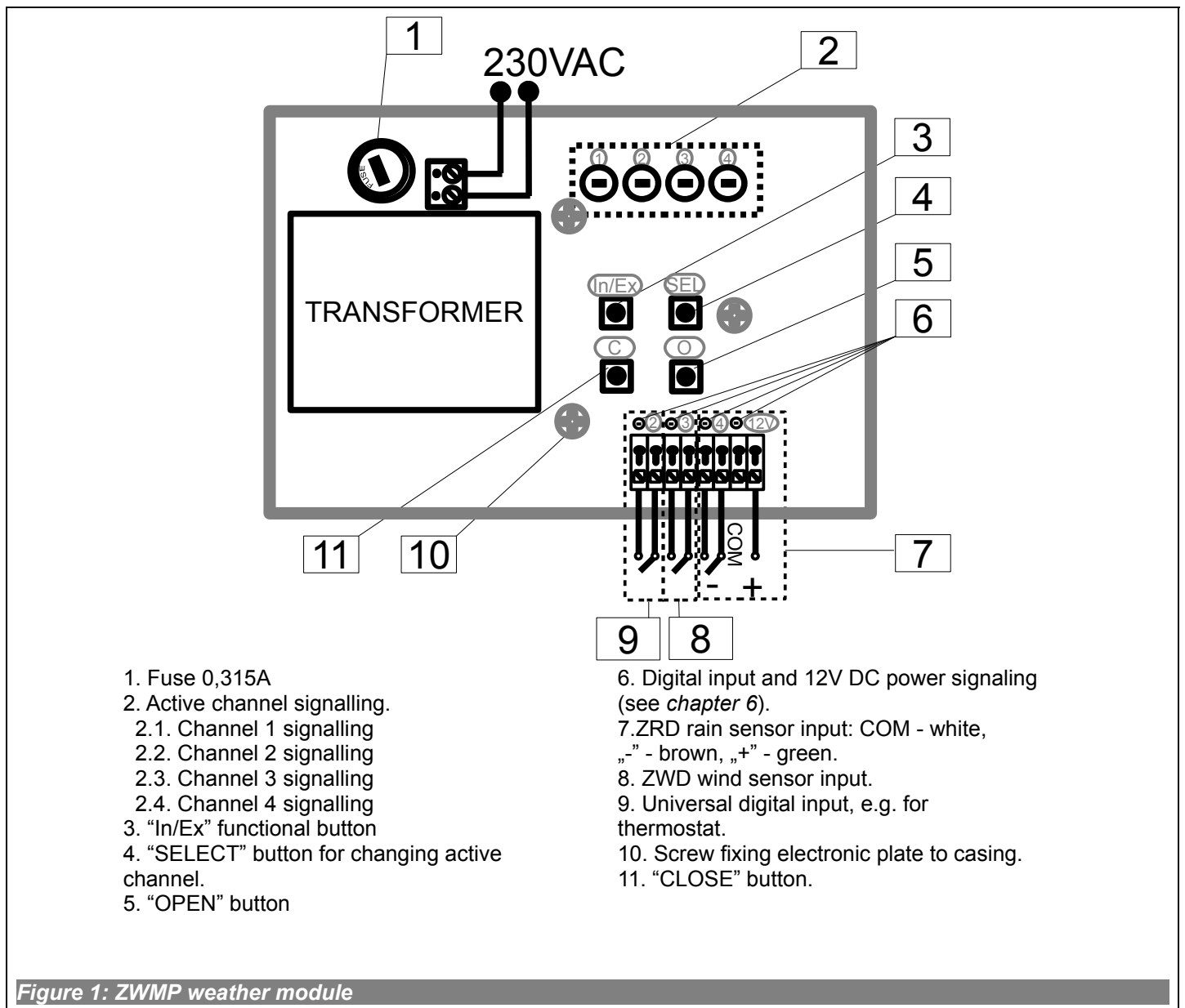
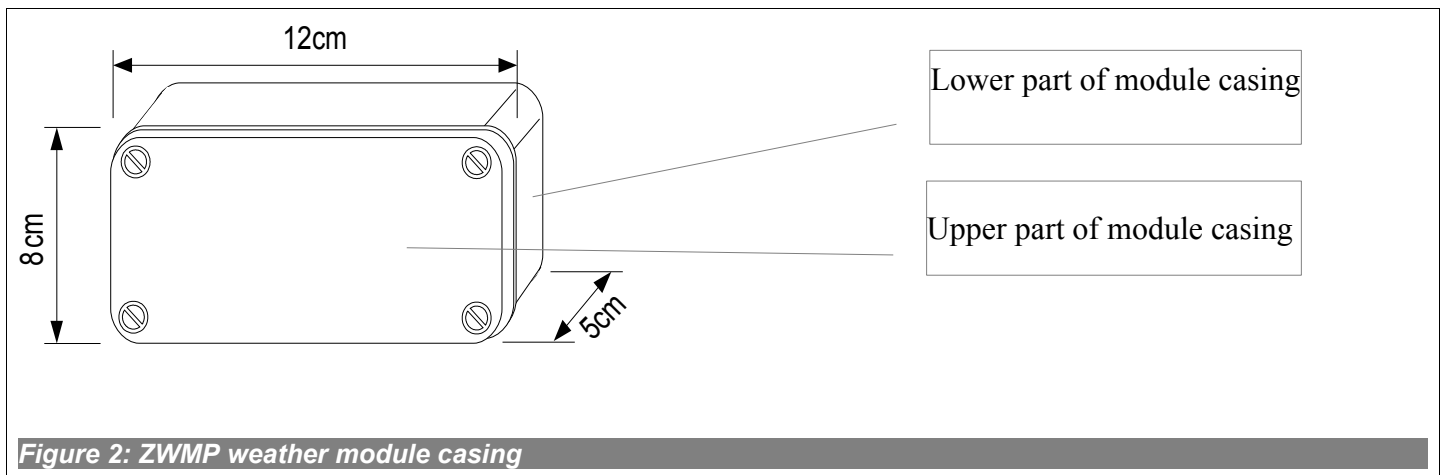


Figure 1: ZWMP weather module

3 Installation of ZWMP module

The ZWMP module should be mounted onto a wall or other permanent element of the building by means of screws driven into cylindrical plugs inserted into openings drilled in the wall. In order to install the ZWMP module, it is necessary to:

1. Take off the upper section of the casing.
2. Take out the screws fixing electronic plate to the casing (see *Figure 1*).
3. Take electronic plate out of the casing.
4. Screw the lower section of the casing to the wall.
5. Screw electronic plate to the lower section of the casing.
6. Make all the necessary electric connections.
7. Remount the upper section of the casing.



4 Module programming

In order to operate electric FAKRO accessories equipped with the Z-WAVE system by means of the ZWMP weather module, it is necessary to:

1. Add the device to be operated by means of the module to the “Z-Wave” system – see ZWP10 remote control and ZWK10 keyboard manual, chapter “Adding device to the network (INCLUDE function)” or other controller working in the Z-Wave system. If the device is already operated with one of the controllers, proceed to section 2.
2. Add the weather module to the Z-Wave network as a SECONDARY controller, chapter 4.1 (LEARN MODE function).

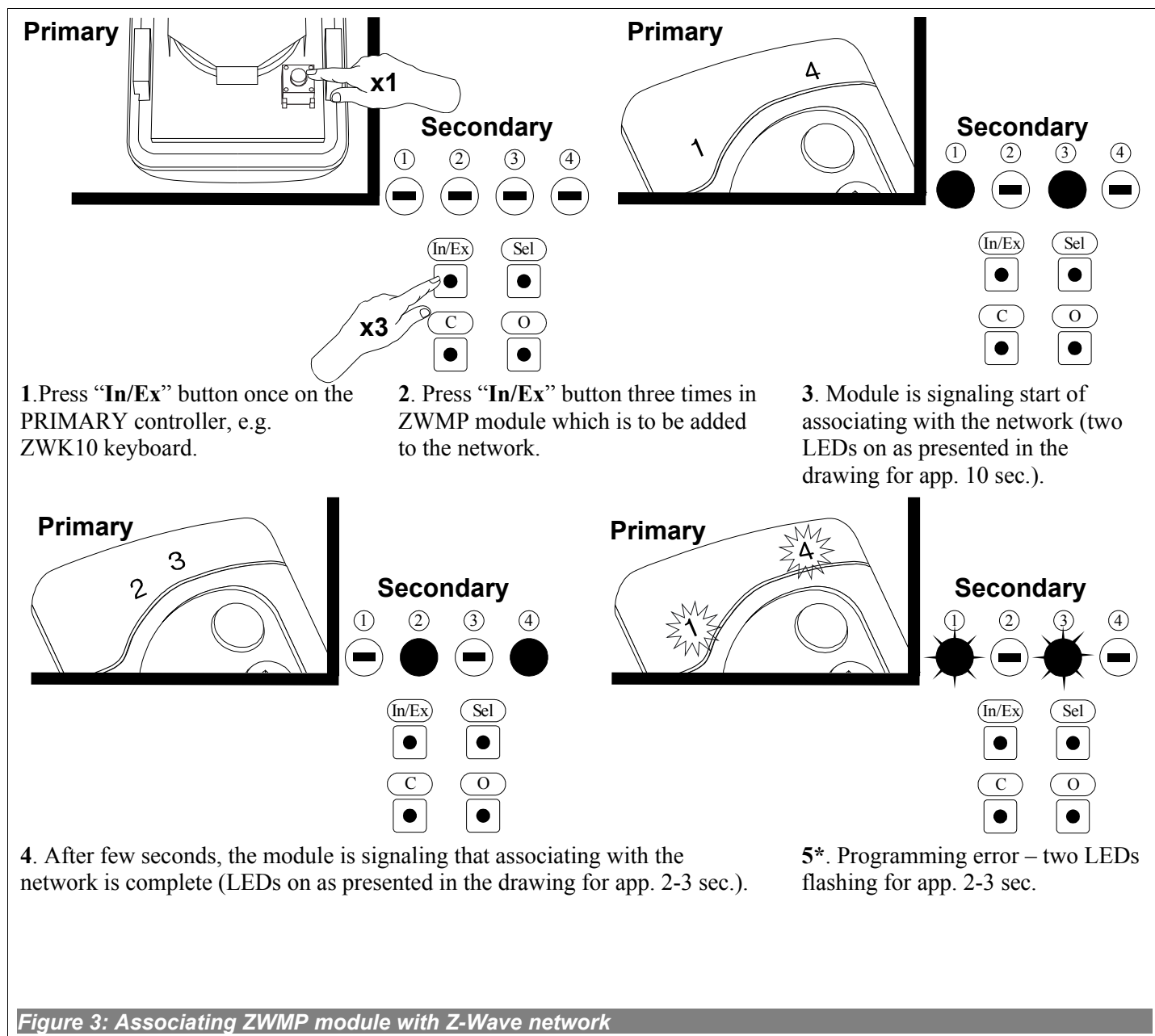
and

3. Associate the device with a selected channel in the module (No. 2, *Figure 1*) specifying the task to be performed by it (chapter 4.2, ASSOCIATE function): “O” - open, raise blind, “C” - close, lower blind.

4.1 Associating weather module to the Z-Wave network (LEARN MODE function)

Associating the weather module (controller) results in its being categorized as SECONDARY. Associating the module with the network consists in sending data to it from PRIMARY controller. The procedure of associating the module with the network is presented in Figure 3. In order to assure the best possible communication within the network and after each its modification (including or removing a device):

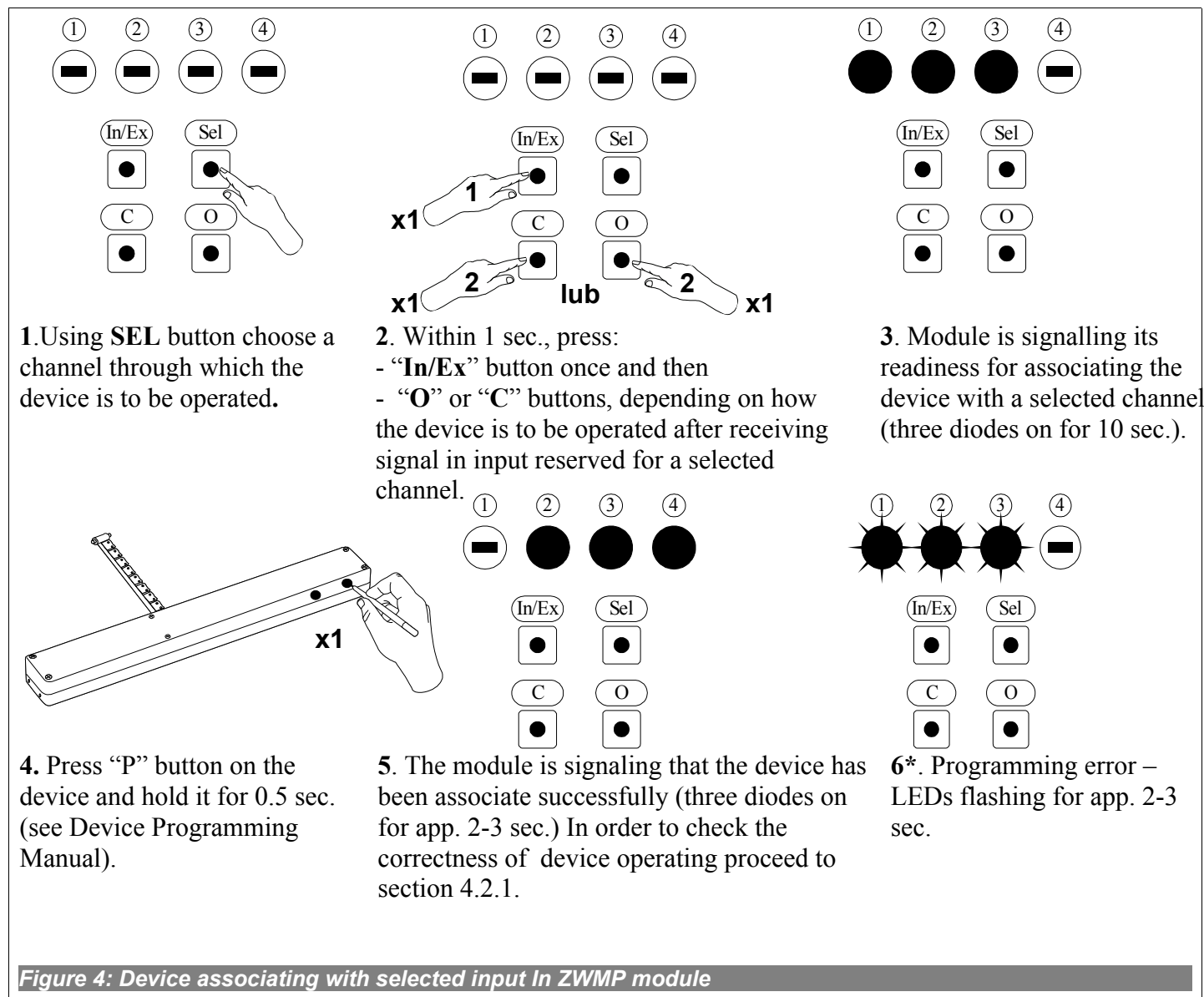
- associating another controller with the network should be performed after associating all devices with the first controller (“PRIMARY”),
- or performing LEARN MODE again on the “SECONDARY” controller already associated with the network.



- *) Programming error results from failure to receive any reply from the device which can be caused by:
- failure to enter LEARN MODE in the ZWMP weather module by pressing the “In/Ex” button three times until the PRIMARY controller is signalling its readiness for adding a new device to the network;
 - long distance between the controller and ZWMP module;
 - the module is associated with another network and it is necessary to carry out the DEFAULT procedure first.

4.2 Associating device with ZWMP module (ASSOCIATE function)

Associating a device with the ZWMP module which has been already added to the Z-Wave network enables operating that device by means of a signal sent to the digital input in the module. The procedure of device associating is presented in *Figure 4*.



*) Programming error results from failure to receive any reply from the device and may be caused by:

- failure to press programming button within 10 seconds from the moment module is signalling its readiness for associating a new device with a selected channel;
- long distance between the module and device being added;
- the device already belonging to the network other the module with which it is associated. It is necessary to associate the module with the same network in which the device operates.

4.2.1 Device operating by means of “OPEN” and “CLOSE” buttons

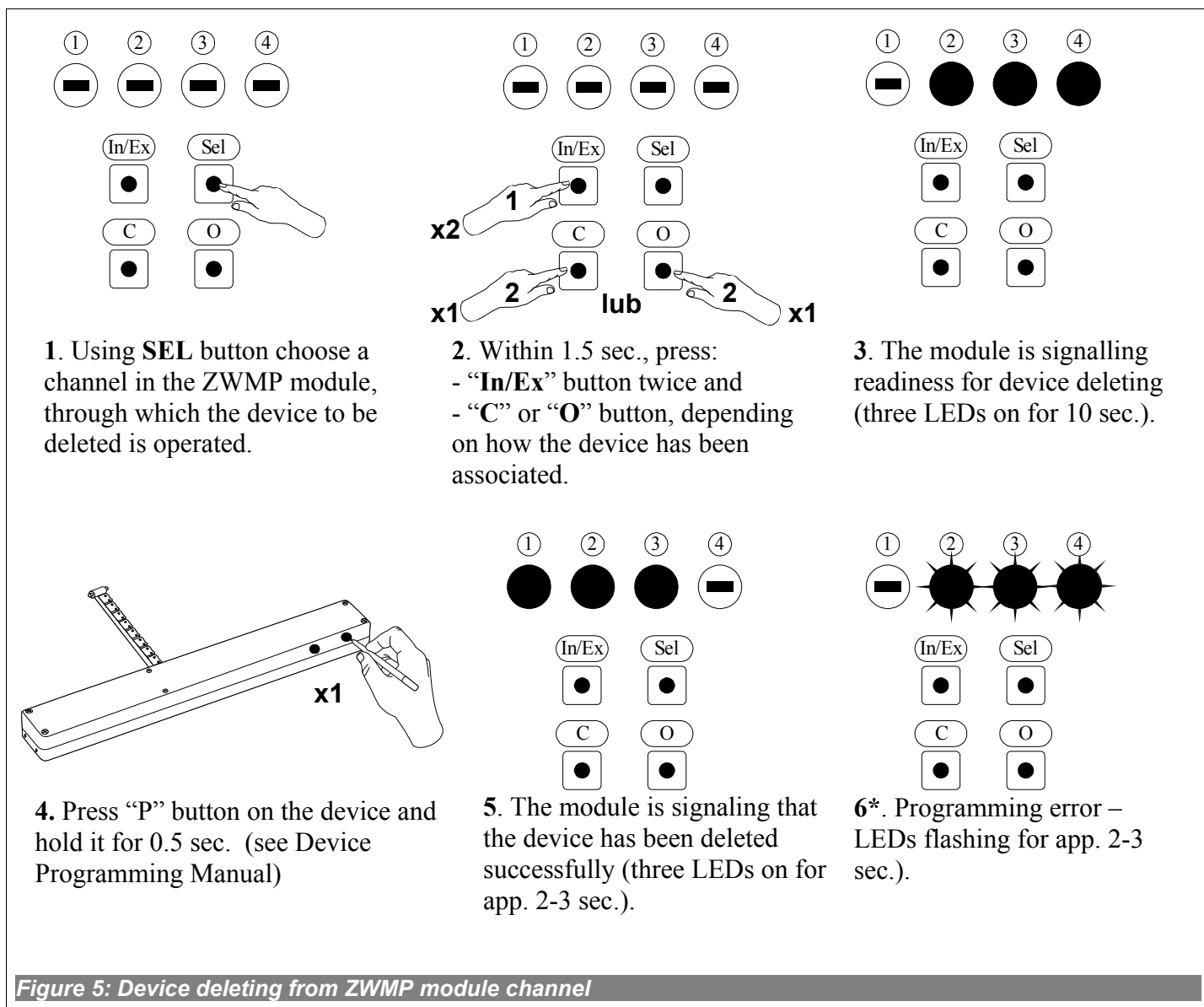
After successful associating the device with a selected channel, it is necessary to verify its operating with the use of “O” or “C” button (*No. 5, & 11, Figure 1*) Keeping “O” or “C” button pressed:

- longer (more than 1 sec.) - runs the device for the time the button is pressed;
- momentarily (app. 0.3sec.) – runs the device until it reaches its extreme position, i.e. motor chain or blind folded or unfolded completely. In order to stop the device, it is necessary to keep the button pressed for longer than 1 second.

CAUTION: The ZWMP module does not provide a possibility to operate the device “both ways” (e.g. blind lowering and raising from the same digital input (channel)).

4.3 Device deleting from ZWMP weather module (DELETE function)

This function removes from the module's memory the device which has been associated with a selected channel. It does not remove the device from the “Z-Wave” network. The procedure of deleting the device from a given channel is presented in *Figure 5*.



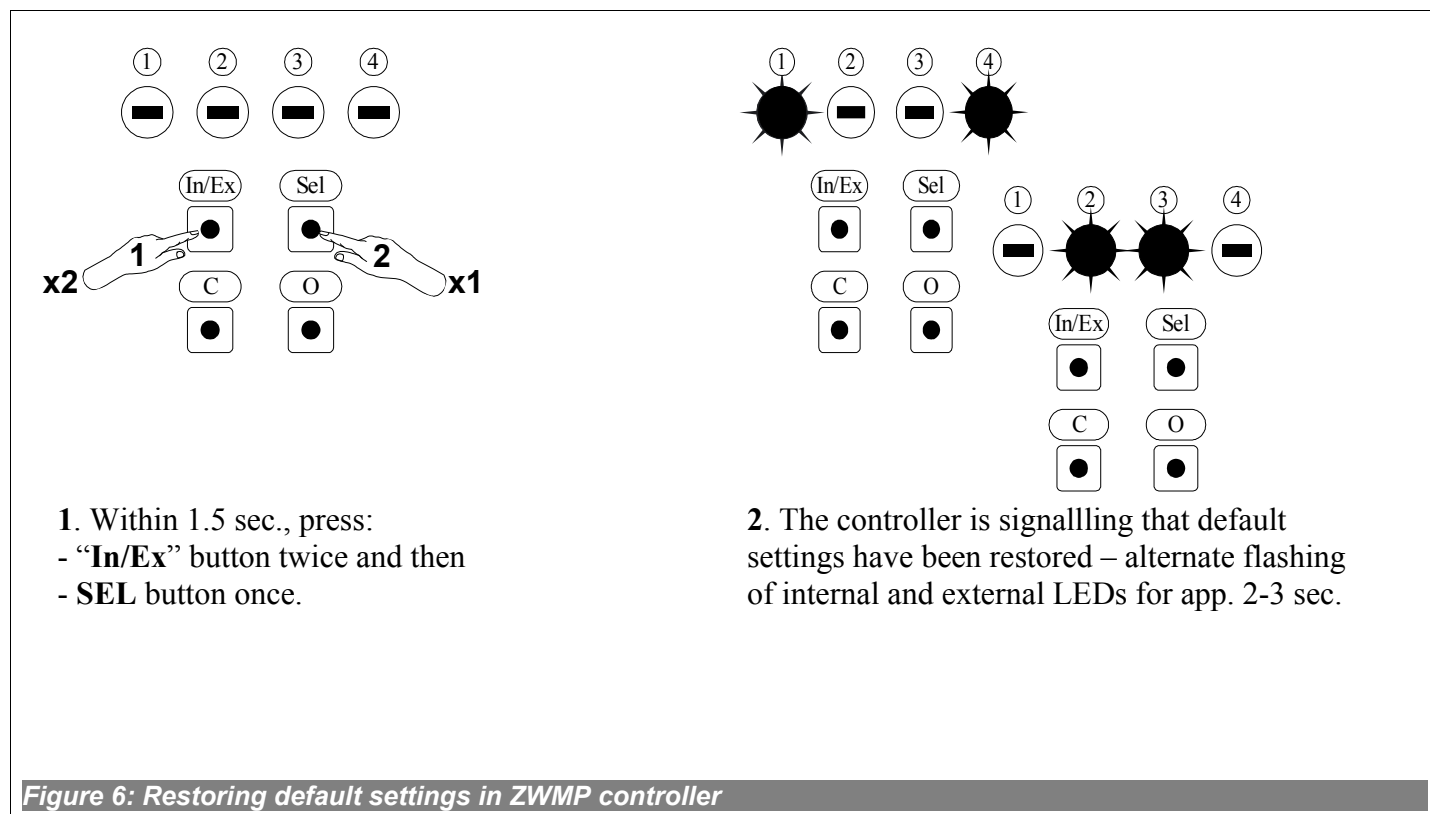
- *) Programming error results from failure to receive any reply from the device and may be caused by:
- failure to press the programming button within 10 seconds from the module signalling its readiness to delete the device;
 - long distance between the module and device being deleted;
 - the device belonging to network other than module.

4.4 Return to default settings of the ZWMP weather module (DEFAULT function)

Restoring default settings of the controller leads to the following information being deleted from its memory:

- network, to which the module has been added;
- devices associated with the ZWMP module.

The procedure of restoring default settings is described in *Figure 6*.



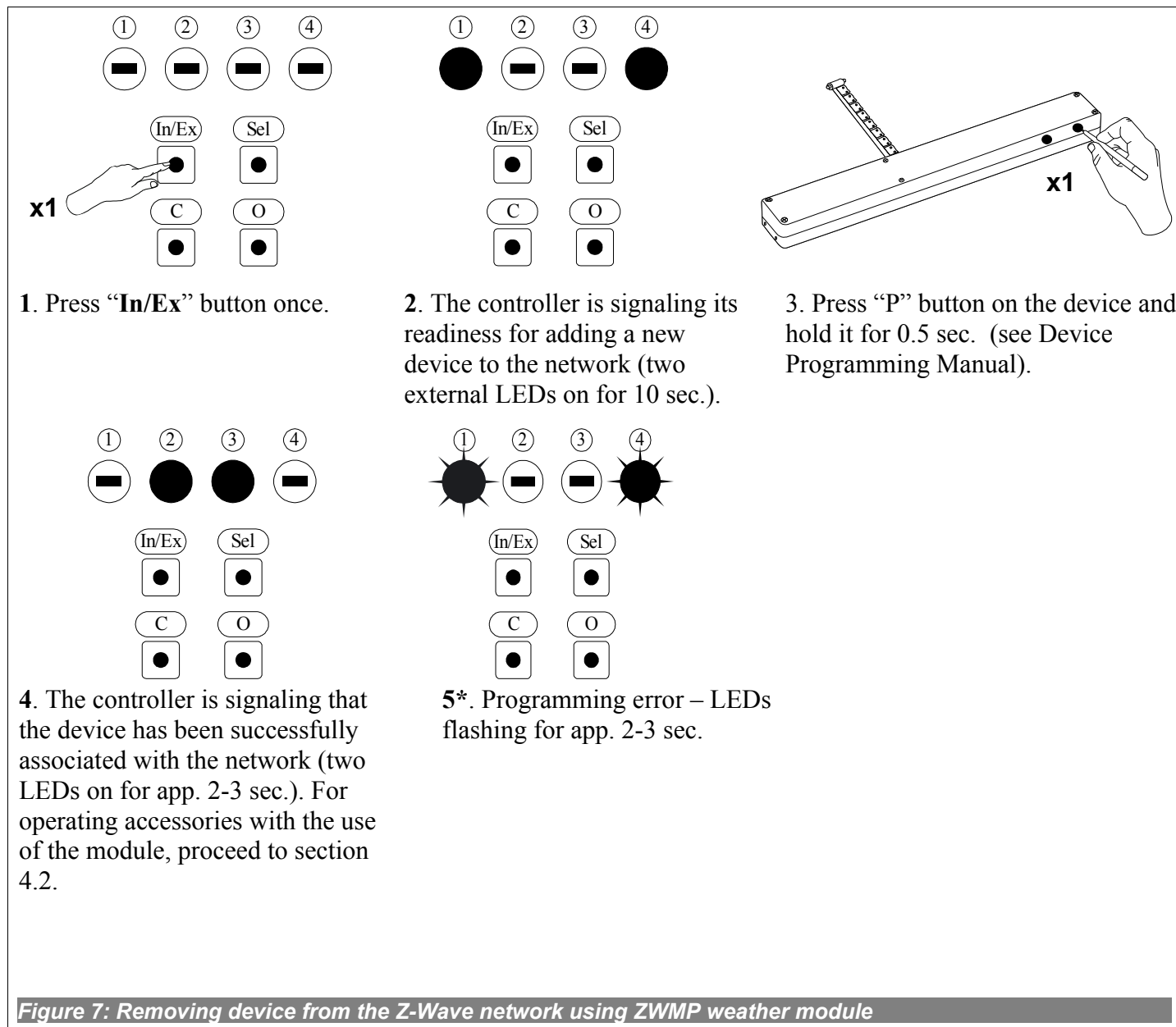
4.5 Removing the ZWMP weather module from the network

Removing the ZWMP module from the network consists in restoring default settings in this module.

4.6 Additional functions

4.6.1 Configuring the Z-Wave network using the ZWMP weather module (INCLUDE function).

Adding a device to the “Z-Wave” network is possibly only with the use of PRIMARY controller (e.g. keyboard ZWK10, ZWP10). The ZWMP module should be associated with the network as SECONDARY. However, there is a possibility of programming the module for the network as PRIMARY. The procedure of device adding to the network with the use of the ZWMP module is presented in *Figure 7*.

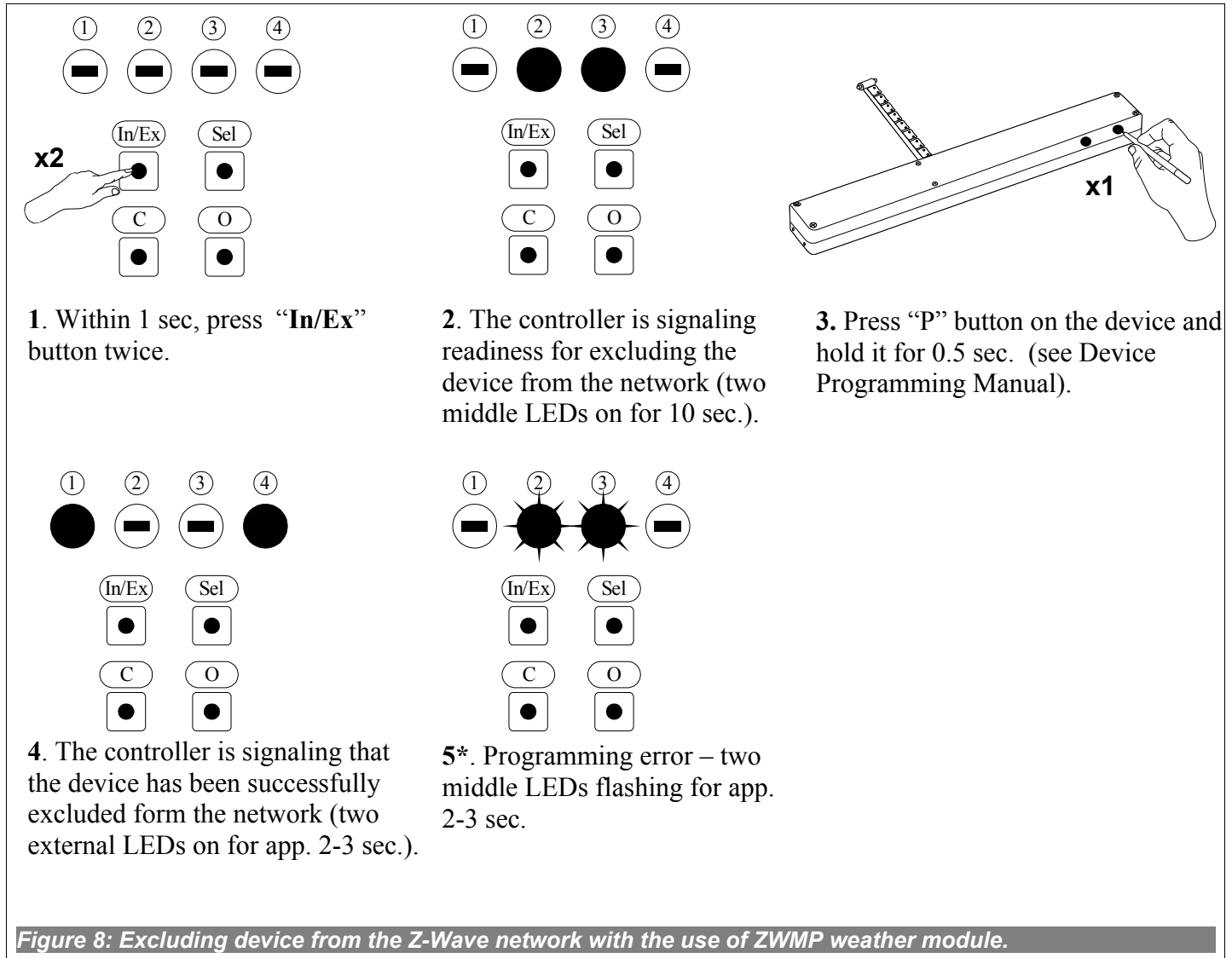


*) Programming error results from the fact of not receiving any response from the device and may be caused by:

- failure to press the programming button within 10 seconds from the module signalling its readiness for adding the device to the network;
- long distance between the module and the device being added;
- the module has been earlier associated with the network as SECONDARY – it is necessary to perform DEFAULT procedure.

4.6.2 Excluding a device from the Z-Wave network using the ZWMP weather module (EXCLUDE function)

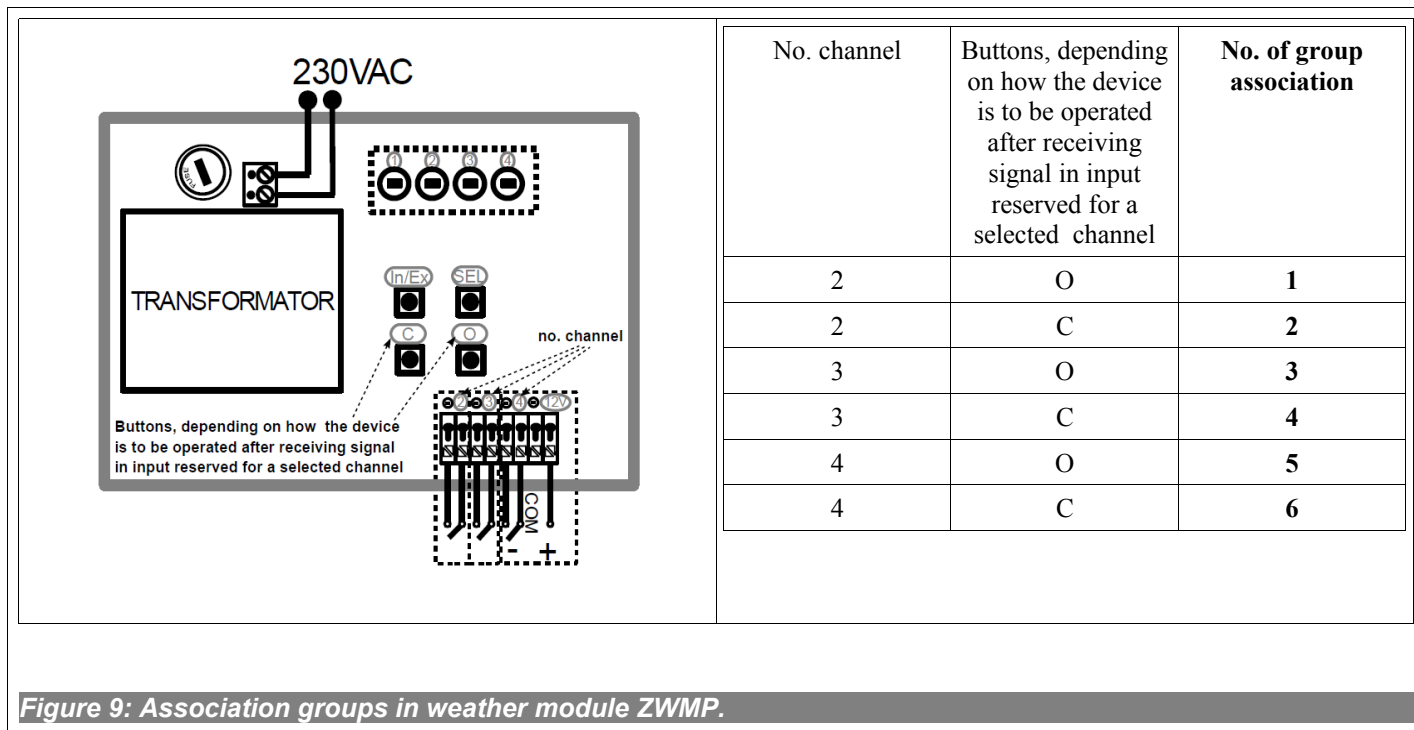
Excluding a device from the “Z-Wave” network is possible only with the use of a PRIMARY controller (e.g. keyboard ZWK10, ZWP10). If the ZWMP module in the Z-Wave network is marked as PRIMARY (network configuration as per section 4.6.1), then devices can be excluded only using that module. The procedure of device excluding from the network with the use of the ZWMP module is presented in *Figure 8*.



- *) Programming error results from the fact of not receiving any response from the device and may be caused by:
- failure to press the programming button within 10 seconds from the module signalling its readiness to delete the device;
 - the device belonging to network other than module.

4.6.3 Association Groups.

After adding ZWMP controller allows Association, e.g. Gateway Vera, Fibaro Home Center, remote controller ZRS24, you can add a device to the selected group. Module ZWMP has 6 association groups according to the following table.



5 Technical parameters

Technical parameters	
Power	110VAC
Working temperature	(+5°C) to (40°C)
Working range	to 40 [m]
Working frequency	921,4 MHz
Maximum cable length of the device plugged into digital or analogue input	5 rm

6 LED signalling of digital inputs and 12V DC power

The LEDs (Figure 1, No. 6) by digital inputs inform about activation of the connected sensors. LED by input:

- No. 2 (Figure 1, No. 9) is on when short across input contacts occurs;
- No. 3 (Figure 1, No. 8) is on when wind speed exceeds the value activating the input (default 30km/h);
- No. 4 (Figure 1, No. 7) is on when short across input contacts occurs.
- 12VDC (Figure 1, No. 7) is off if the connected rain sensor is faulty (short circuit).

7 WARRANTY

The manufacturer guarantees correct device functioning. It also undertakes to repair or replace the device if its defects result from material or structural faults. The warranty period is 24 months from the purchase date, fulfilling the following conditions:

- Installation has been performed by an authorised individual, as per manufacturer recommendations.
- Seals remain intact and no unauthorised structural changes have been made.
- The device has been used in accordance with its intended use as per user manual.
- Damage is not a result of improperly made electrical system or atmospheric phenomena.
- The manufacturer is not liable for damage which occurred as a result of improper use or mechanical damage.

In case of failure, the device must be submitted for repair with a Warranty Card. Defects revealed within the warranty period will be removed free of charge no longer than 14 days after accepting the product for repair. Warranty and post-warranty repairs are performed by the manufacturer i.e. FAKRO PP. Sp. z o.o..

Quality certificate:

Device

Model.....

Serial number.....

Seller.....

Address.....

Date of purchase.....

.....
Signature (stamp) of installing person

FAKRO PP Sp. z o.o.

ul. Węgierska 144A

33-300 Nowy Sącz

Polska

www.fakro.com

tel. +48 18 444 0 444

fax. +48 18 444 0 333