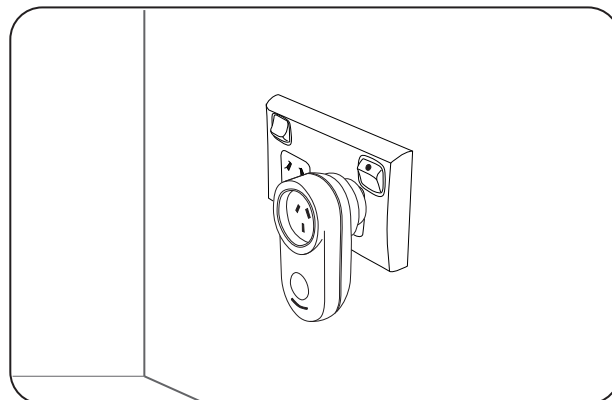


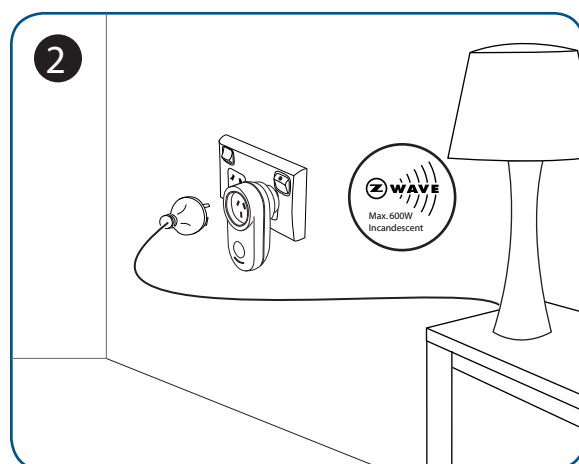
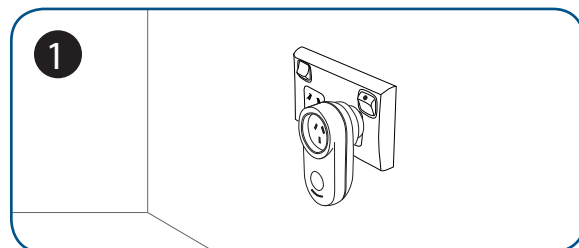
Introduction

The Appliance Module (model LE120) works with the Schlage LiNK system as both a lamp or small appliance controller and a signal repeater to help extend the range of the Schlage Bridge.



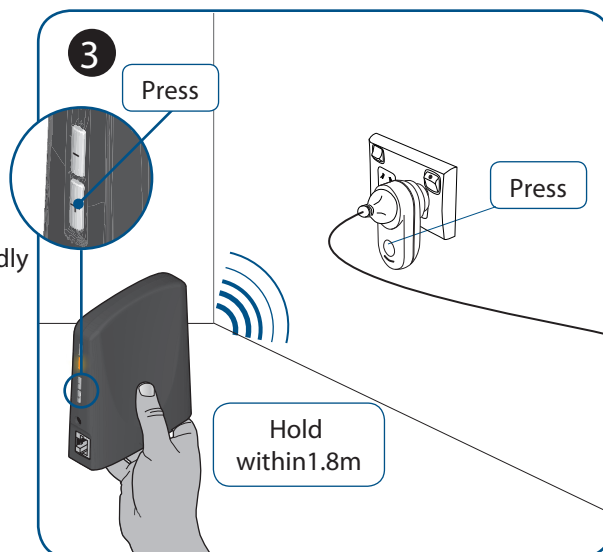
Installation

1. Plug the appliance module into any available outlet.
 - The appliance module can be used to control a lamp or small appliance.
 - The appliance module repeats the Z-Wave™ signal. In some homes, the appliance module must be used to improve communication between the bridge and the lock. During the online portion of the setup, the system will determine if it is communicating properly or not. You can move the appliance module during online setup if necessary.
 - The appliance module should be installed into any indoor, three-prong, 220-240 volt A/C outlet.
2. (Optional) Plug a lamp (incandescent or CFL) or small appliance into the front of the Z-Wave™ appliance module.



Enrollment

1. Disconnect the bridge from power and Ethernet.
2. Install a 9-volt battery into the bridge (supplied).
3. Hold the bridge within 1.8 metres of the appliance module throughout all of the next steps.
4. Press and release the plus (+) button on the bridge.
5. Press the button on the appliance module.
6. Observe the lights on the bridge. The orange light will blink rapidly while enrollment is taking place. Enrollment is complete when the orange light becomes solid.
7. Uninstall battery from bridge.
8. Reconnect power and Ethernet to the bridge.



Remote Operation

1. To control the lamp or appliance remotely from your PC

Log into your account at;

Australia: schlagelink.com.au

New Zealand: schlagelink.co.nz

Log in to the application, select the appropriate house tab.

2. To control the lamp or appliance remotely from your mobile phone;

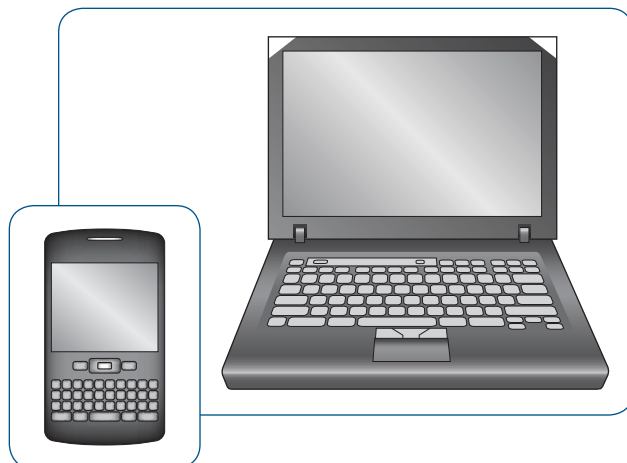
Download the phone application from;

Australia: link.schlage.com.au

New Zealand: link.schlage.co.nz

Open application. Click the lighting and automation tab.

The appliance module will be displayed.



Manual Operation

- Press the button once to turn the lamp/appliance on or off.

Specifications

Power 220 - 240 VAC, 50Hz

Signal (Frequency) 921.42MHz

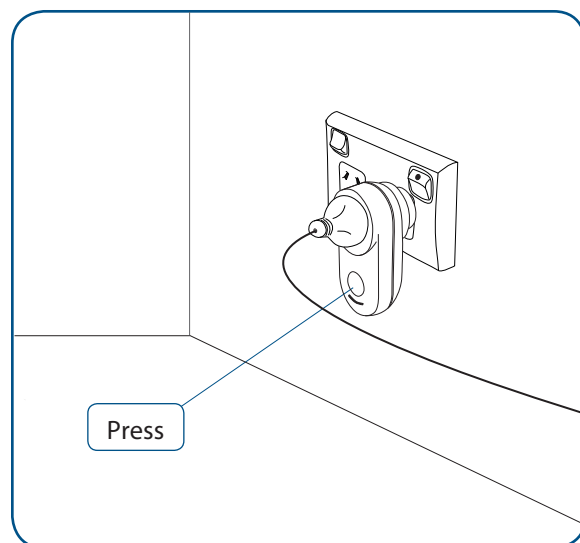
Maximum load for both outlets 10 Amps

Range: Up to 33 metres line of sight between the Wireless Controller and the closest Z-Wave receiver module.

Operating Temperature Range: 0-55° C

For indoor use only.

Specifications subject to change without notice due to continuing product improvement



WARNING

FOR INDOOR USE ONLY!

The device plugged into the Z-Wave™ controlled outlet on this module must not exceed 2200 watts (50hz, 10A).

To reduce the risk of electric shock, this product has a grounding type plug that has a third (grounding) pin. This plug will only fit into a grounding type power outlet. If the plug does not fit into the outlet, contact a qualified electrician to install the proper outlet. Do not change the plug in any way.

Any modification or use other than described may damage the unit and will void the warranty. It could also result in:

RISK OF FIRE

RISK OF ELECTRICAL SHOCK

RISK OF BURNS

Controlling Appliances:

Exercise caution when using Z-Wave devices to control appliances. Operation of the Z-Wave device may be in a different room than the controlled appliance, also an unintentional activation may occur if the wrong button on the remote is pressed. Z-Wave devices may automatically be powered on due to timed event programming. Depending upon the appliance, these unattended or unintentional operations could possibly result in a hazardous condition. For these reasons, we recommend the following:

- DO NOT use Z-Wave devices to control electric heaters or any other appliances which may present a hazardous condition due to unattended or unintentional or automatic power on control.

**NOT FOR USE WITH
MEDICAL OR LIFE
SUPPORT EQUIPMENT**

Z-Wave enabled devices should never be used to supply power to or control the On/Off status of medical or life support equipment.

Customer Service: 1800 LiNK HELP (Australia 1800 5465 4357)

0800 LiNK HELP (New Zealand 0800 5465 4357)